

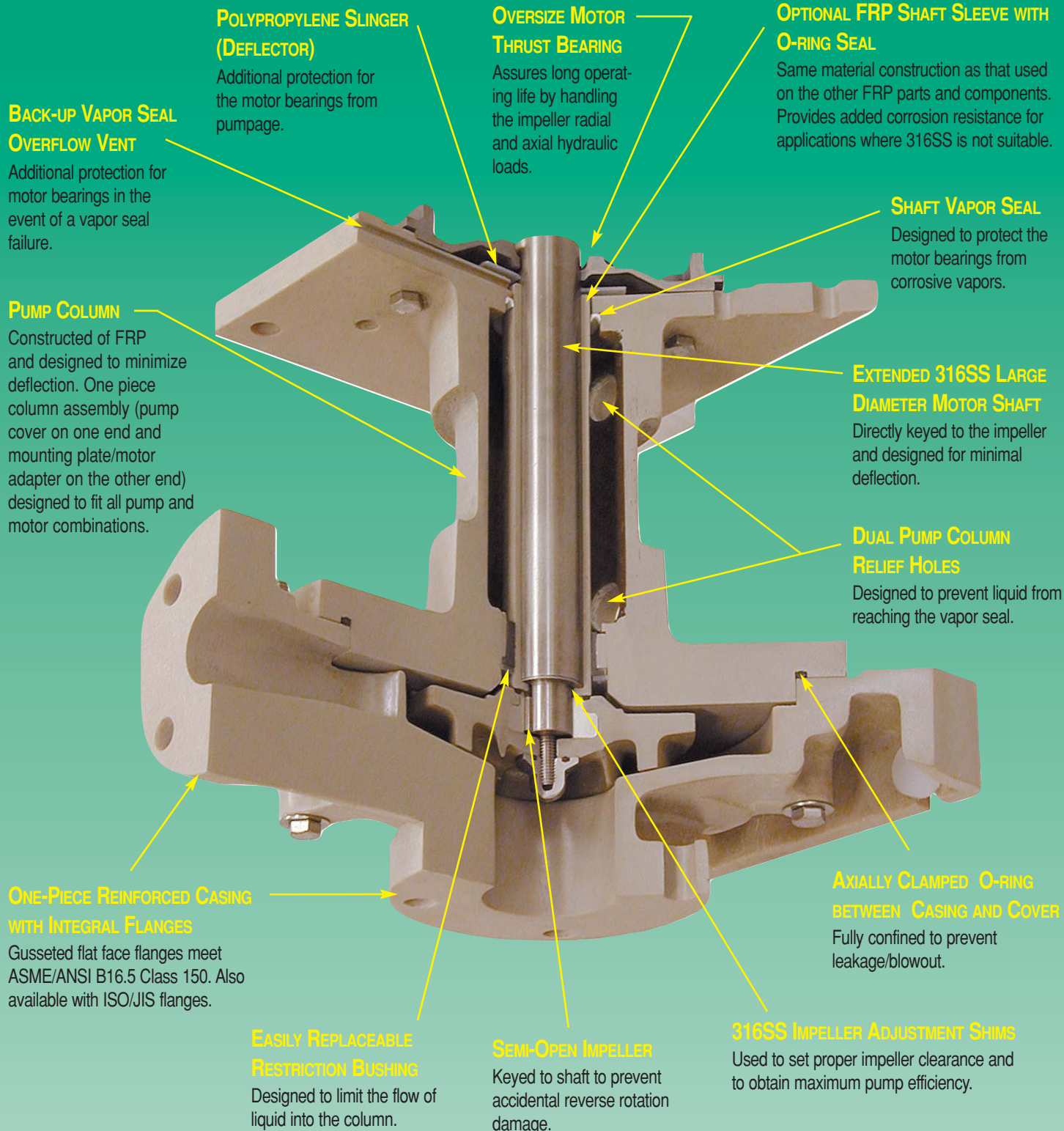
**Simple,
Reliable and
Cost Effective**

**CORROSION RESISTANT
FRP CONSTRUCTION**

Fybroc

Series 7530

Close Coupled Cantilever Pumps



**POLYPROPYLENE SLINGER
(DEFLECTOR)**

Additional protection for the motor bearings from pumpage.

**OVERSIZE MOTOR
THRUST BEARING**

Assures long operating life by handling the impeller radial and axial hydraulic loads.

**OPTIONAL FRP SHAFT SLEEVE WITH
O-RING SEAL**

Same material construction as that used on the other FRP parts and components. Provides added corrosion resistance for applications where 316SS is not suitable.

**BACK-UP VAPOR SEAL
OVERFLOW VENT**

Additional protection for motor bearings in the event of a vapor seal failure.

SHAFT VAPOR SEAL

Designed to protect the motor bearings from corrosive vapors.

PUMP COLUMN

Constructed of FRP and designed to minimize deflection. One piece column assembly (pump cover on one end and mounting plate/motor adapter on the other end) designed to fit all pump and motor combinations.

**EXTENDED 316SS LARGE
DIAMETER MOTOR SHAFT**

Directly keyed to the impeller and designed for minimal deflection.

**DUAL PUMP COLUMN
RELIEF HOLES**

Designed to prevent liquid from reaching the vapor seal.

**ONE-PIECE REINFORCED CASING
WITH INTEGRAL FLANGES**

Gusseted flat face flanges meet ASME/ANSI B16.5 Class 150. Also available with ISO/JIS flanges.

**AXIALLY CLAMPED O-RING
BETWEEN CASING AND COVER**

Fully confined to prevent leakage/blowout.

**EASILY REPLACEABLE
RESTRICTION BUSHING**

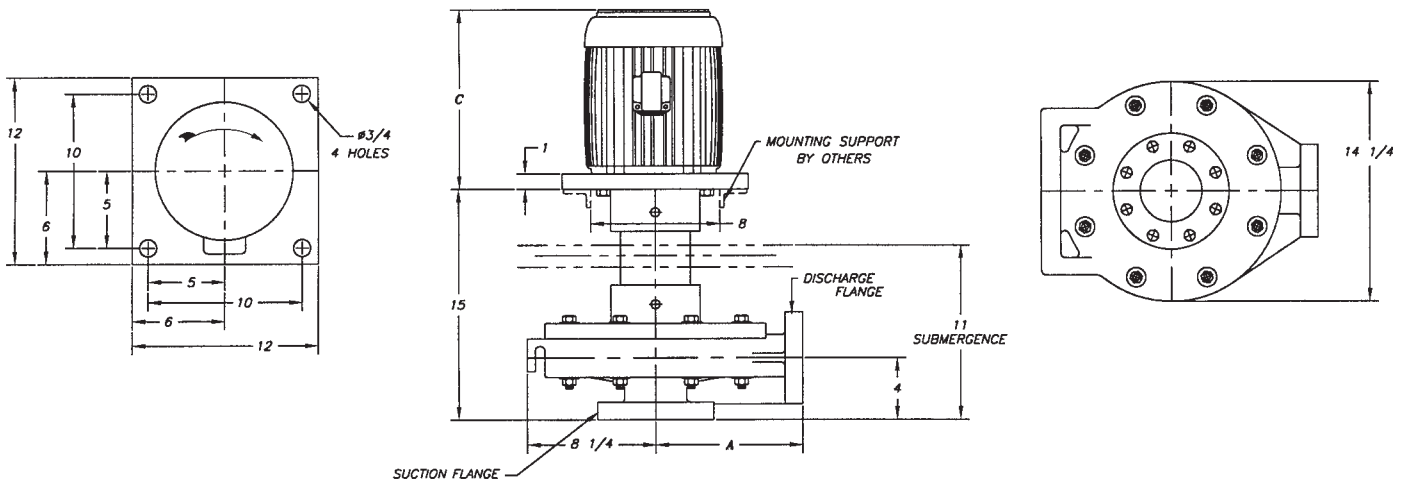
Designed to limit the flow of liquid into the column.

SEMI-OPEN IMPELLER

Keyed to shaft to prevent accidental reverse rotation damage.

316SS IMPELLER ADJUSTMENT SHIMS

Used to set proper impeller clearance and to obtain maximum pump efficiency.



FLANGE	O.D.	THICK.	B.C.	NUMBER OF HOLES	SIZE OF HOLES
1	4 1/4	1	3 1/8	4	3/4
1 1/2	5	1 1/8	3 7/8	4	5/8
2	6	1 1/8	4 3/4	4	3/4
3	7 1/2	1 3/16	6	4	3/4
4	9	1 1/4	7 1/2	8	3/4

PUMP SIZE	SUCTION	DISCHARGE	A
1 1/2 x 3 x 8	3	1 1/2	8 1/2
2 x 3 x 8	3	2	9 1/2
3 x 4 x 8	4	3	11
1 x 2 x 10	2	1	8 1/2
1 1/2 x 3 x 10	3	1 1/2	8 1/2

MOTOR FRAME	C
213TCZ/215TCZ	18 1/4
254TCZ/256TCZ	21
284TCZ/286TCZ	24 1/4

NOTES:

- 1) All dimensions in inches. Flanges are ASME/ANSI B16.5 Class. 150 lb. Flat Face.
- 2) Rotation is clockwise facing motor fan guard.

WARNING: Do not operate without liquid in pump. Do not operate in reverse rotation.

